

"THIS DRAWING AND SPECIFICATIONS, HEREIN, ARE THE PROPERTY OF DIGITAL EQUIPMENT CORPORATION AND SHALL NOT BE REPRODUCED OR COPIED OR USED IN WHOLE OR IN PART AS THE BASIS FOR THE MANUFACTURE OR SALE OF ITEMS WITHOUT WRITTEN PERMISSION. COPYRIGHT © 1974 DIGITAL EQUIPMENT CORPORATION"

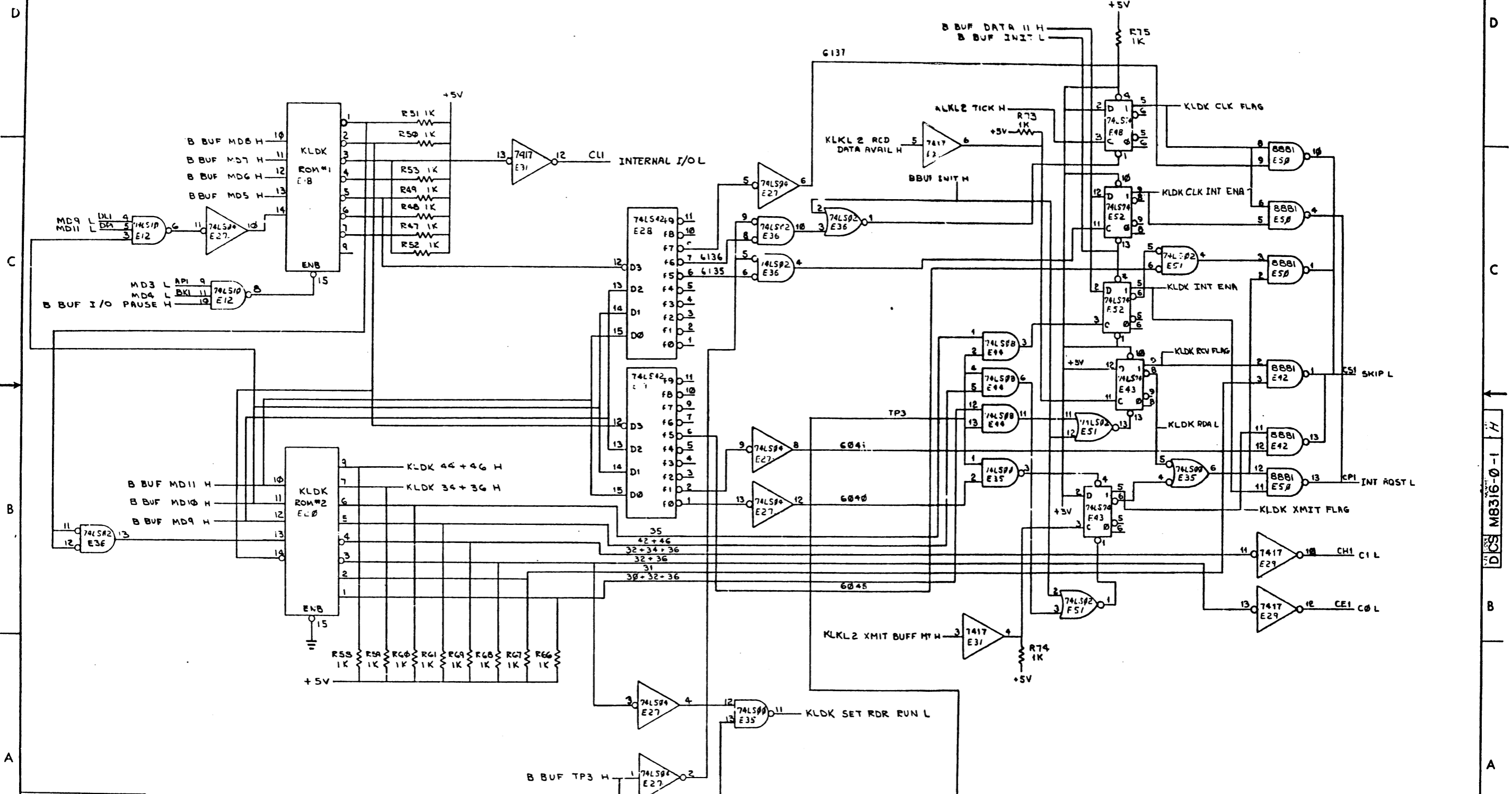
NOTE: ALL UNUSED PINS ON J4, AND J5 ARE GROUNDED.

REVISIONS		
CHK	CHANGE NO	REV.

TITLE	OPTION BD #1	SIZE CODE	D CS	NUMBER	MB316-0-1	REV.	H
SCALE	1:1	SHEET	2	OF	2	DIST.	

D E S I G N N U M B E R DCS MB316-0-1

THIS DRAWING AND SPECIFICATIONS HEREIN ARE THE PROPERTY OF DIGITAL EQUIPMENT CORPORATION AND SHALL NOT BE REPRODUCED OR COPIED OR USED IN WHOLE OR IN PART AS THE BASIS FOR THE MANUFACTURE OR SALE OF ITEMS WITHOUT WRITTEN PERMISSION. COPYRIGHT © 1974 DIGITAL EQUIPMENT CORPORATION

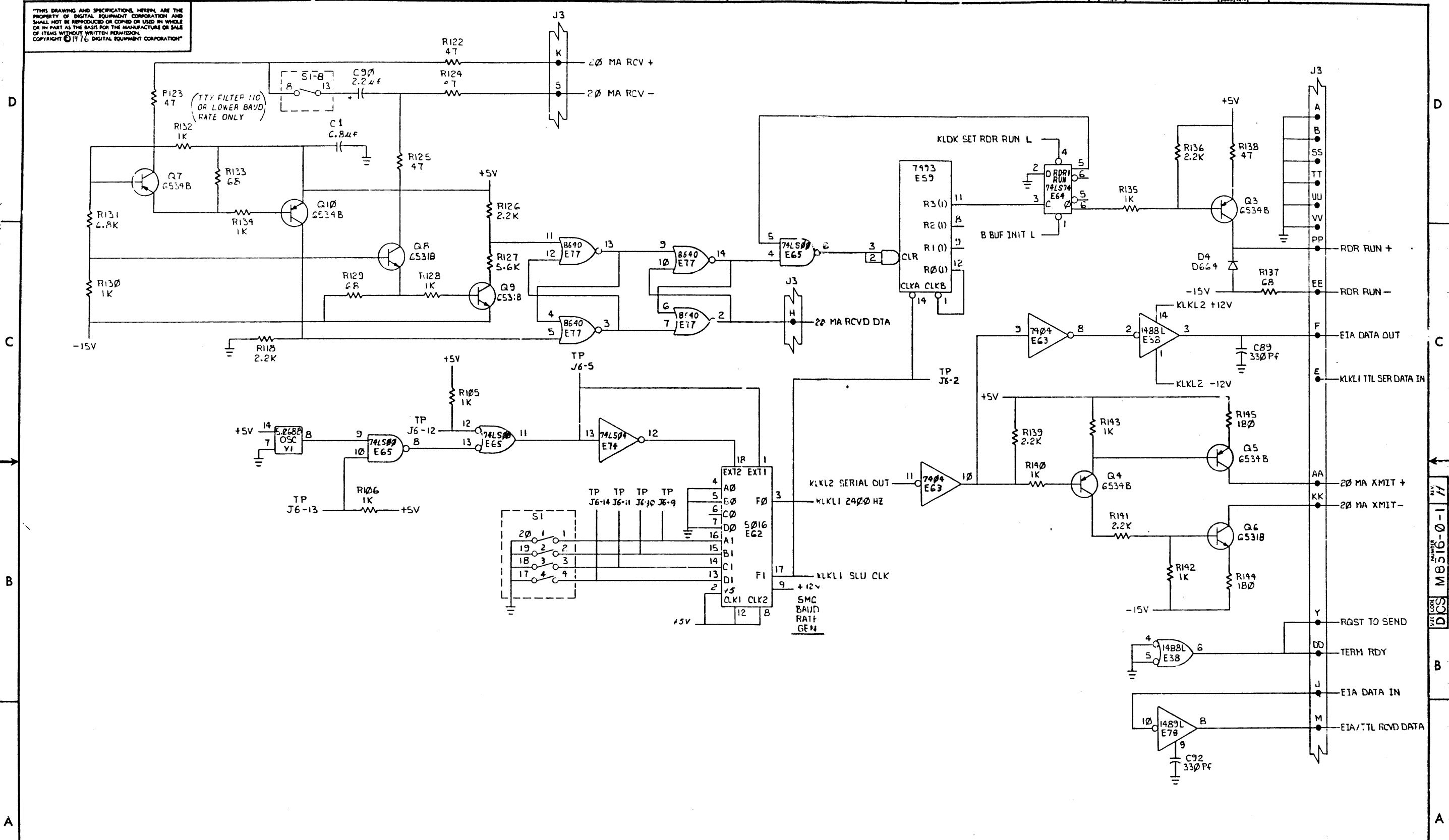


(SLU IOT DECODE/FLAGS & XTAL CLOCK)

REVISIONS		
CHK	CHANGE NO	REV

TITLE	OPTION BD # 1 (KLDK)	SIZE CODE	D CS	NUMBER	M8316-0-1	REV.	H
SCALE	/	SHEET	3	OF	3	DIST.	

THIS DRAWING AND SPECIFICATIONS HEREIN ARE THE PROPERTY OF DIGITAL EQUIPMENT CORPORATION AND SHALL NOT BE REPRODUCED OR COPIED OR USED IN WHOLE OR IN PART AS THE BASIS FOR THE MANUFACTURE OR SALE OF ITEMS WITHOUT WRITTEN PERMISSION. COPYRIGHT © 1976 DIGITAL EQUIPMENT CORPORATION



REVISIONS		
CHK	CHANGE NO.	REV.

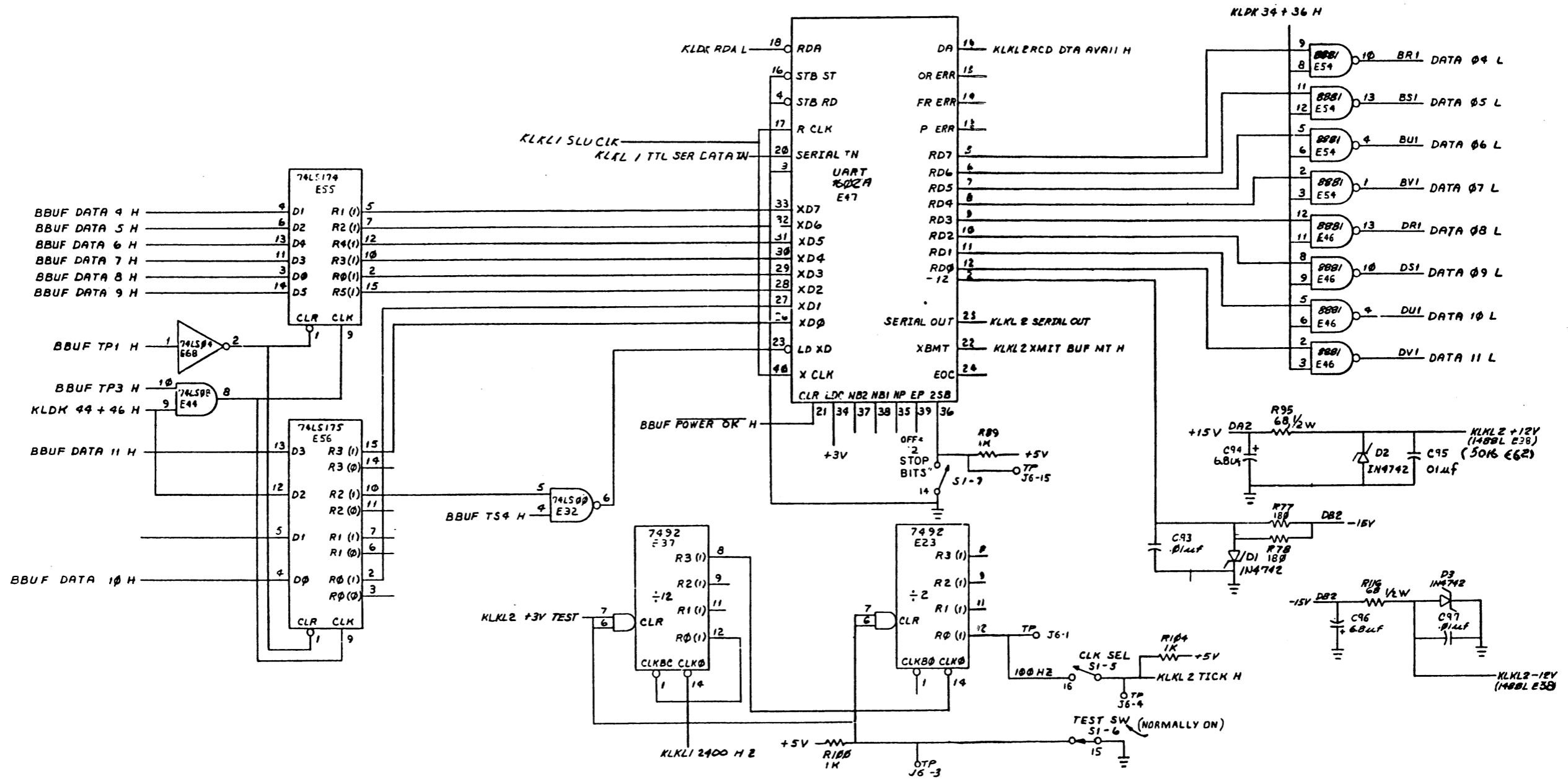
(BAUD RATE GEN & 20 MA. EIA DRIVERS/RECEIVERS)

TITLE	OPTION BD #1 (KLKL)	SIZE CODE	D CS	NUMBER	M8316-0-1	REV.	H
SCALE	---	SHEET	4	OF	8	DIST.	

"THIS DRAWING AND SPECIFICATIONS HEREIN ARE THE PROPERTY OF DIGITAL EQUIPMENT CORPORATION AND SHALL NOT BE REPRODUCED OR COPIED OR USED IN WHOLE OR IN PART AS THE BASIS FOR THE MANUFACTURE OR SALE OF ITEMS WITHOUT WRITTEN PERMISSION. COPYRIGHT © 1974, DIGITAL EQUIPMENT CORPORATION"

D
C
B
A

D
C
B
A

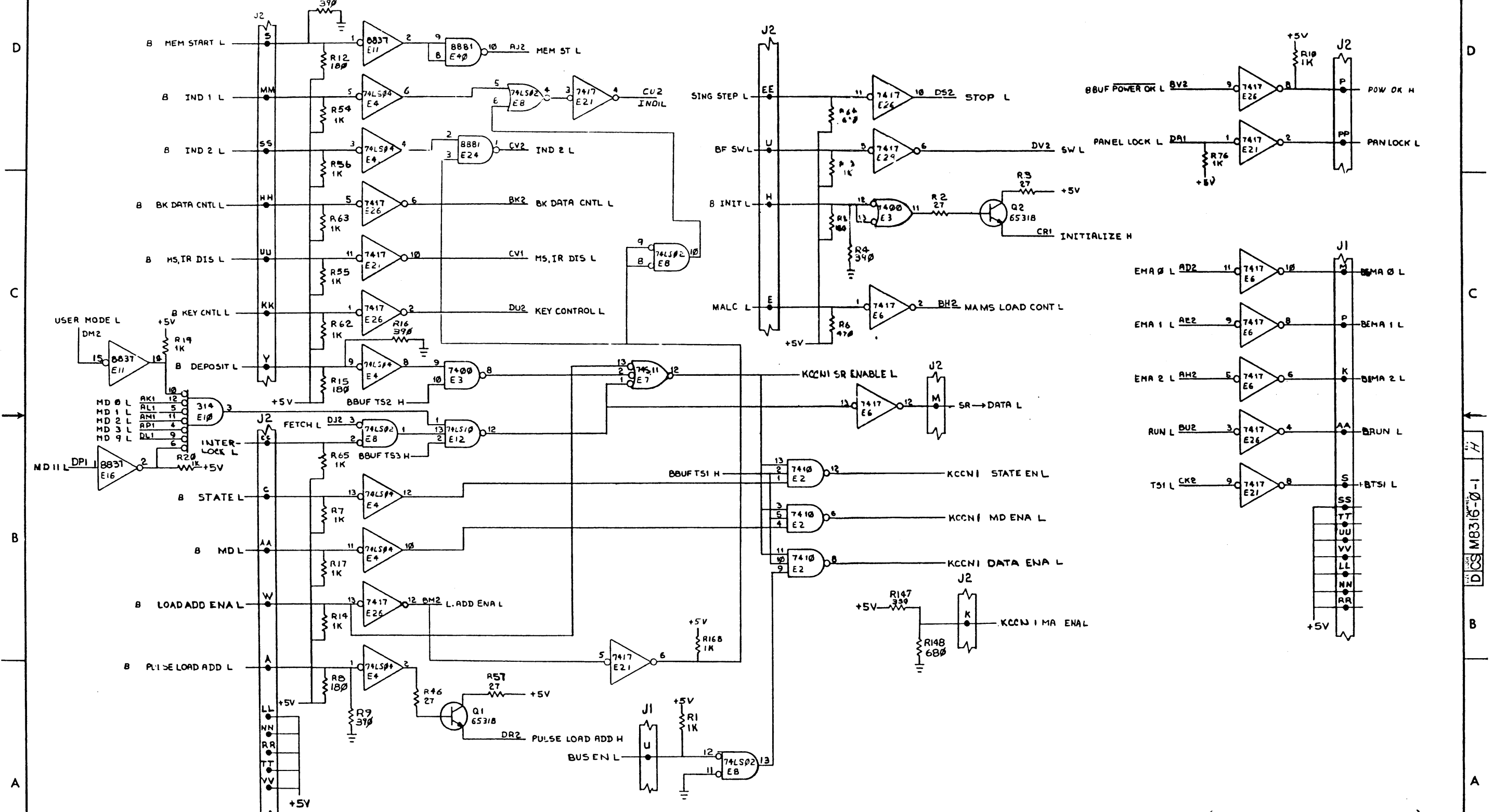


REVISIONS		
CHK	CHANGE NO	REV

(UART & XTAL CLK FREQ SOURCE)

TITLE	OPTION BD #1 (KLKL 2)	SIZE CODE	DCS	NUMBER	M8315-0-1	REV.	H
SCALE	1:1	SHEET	OF 8	DIST.			

THIS DRAWING AND SPECIFICATIONS HEREIN ARE THE PROPERTY OF DIGITAL EQUIPMENT CORPORATION AND SHALL NOT BE REPRODUCED OR COPIED OR USED IN WHOLE OR IN PART AS THE BASIS FOR THE MANUFACTURE OR SALE OF ITEMS WITHOUT WRITTEN PERMISSION. COPYRIGHT © 1974 DIGITAL EQUIPMENT CORPORATION.

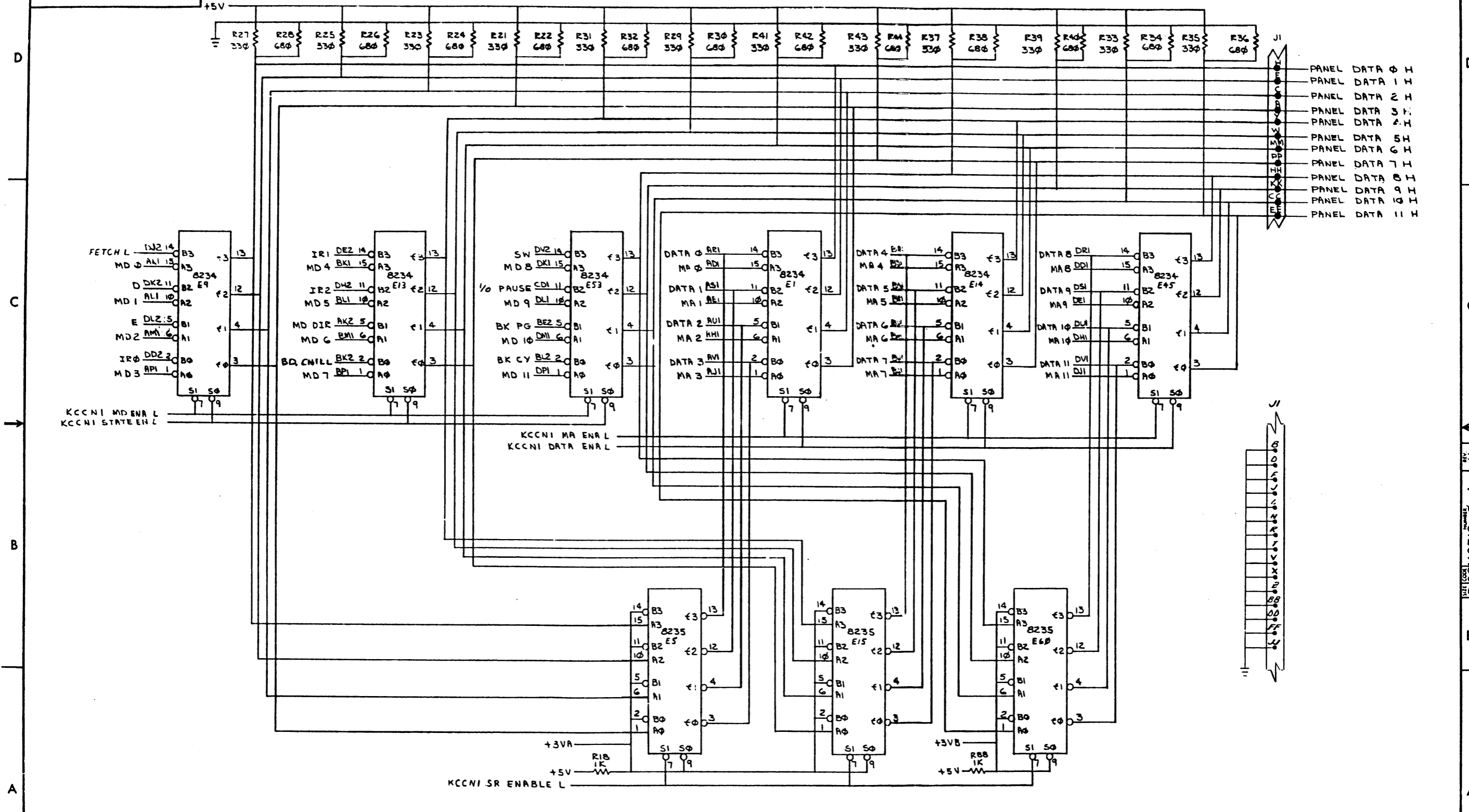


(PROGRAMMER'S PANEL CONTROL)

REVISIONS		
CHK	CHANGE NO	REV

TITLE	OPTION BD #1 (KCCN1)	SIZE CODE	DCS	NUMBER	M8316-0-1	REV.	H
SCALE	1:1	SHEET	6	OF	8	DIST.	

"THIS DRAWING AND SPECIFICATIONS HEREIN ARE THE PROPERTY OF DIGITAL EQUIPMENT CORPORATION AND SHALL NOT BE REPRODUCED OR COPIED OR USED IN WHOLE OR IN PART AS THE BASIS FOR THE MANUFACTURE OR SALE OF ITEMS WITHOUT WRITTEN PERMISSION. COPYRIGHT © 1974 DIGITAL EQUIPMENT CORPORATION"

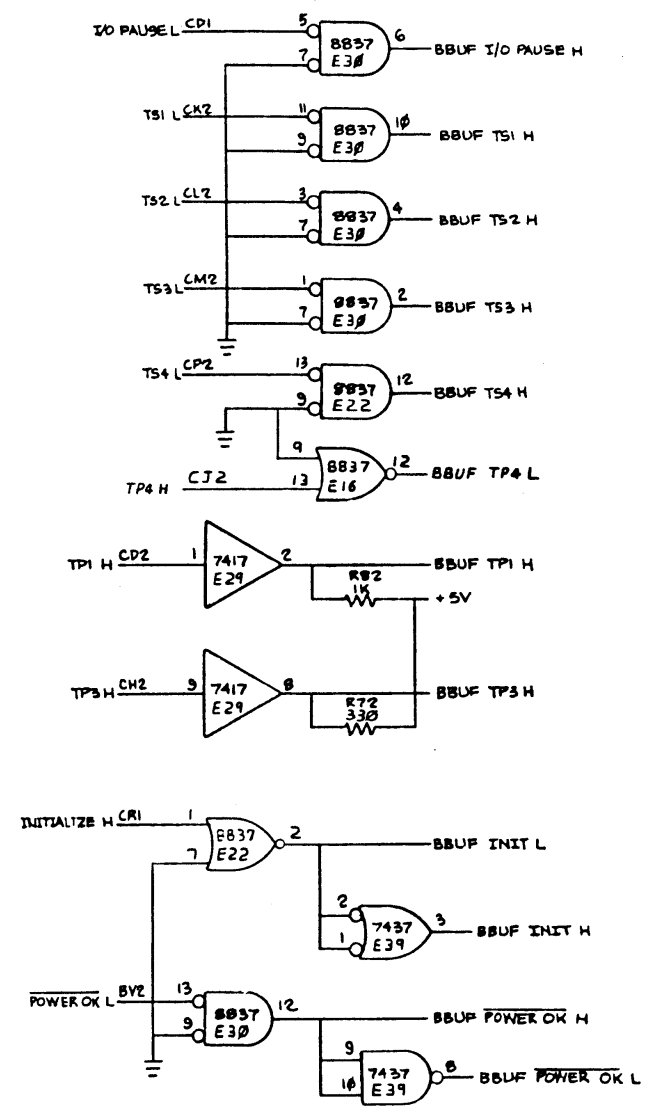
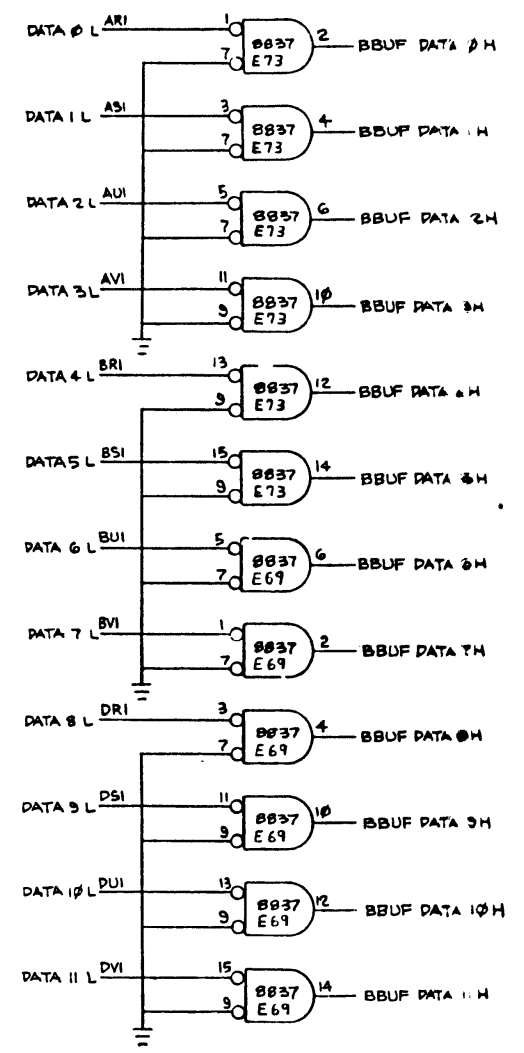
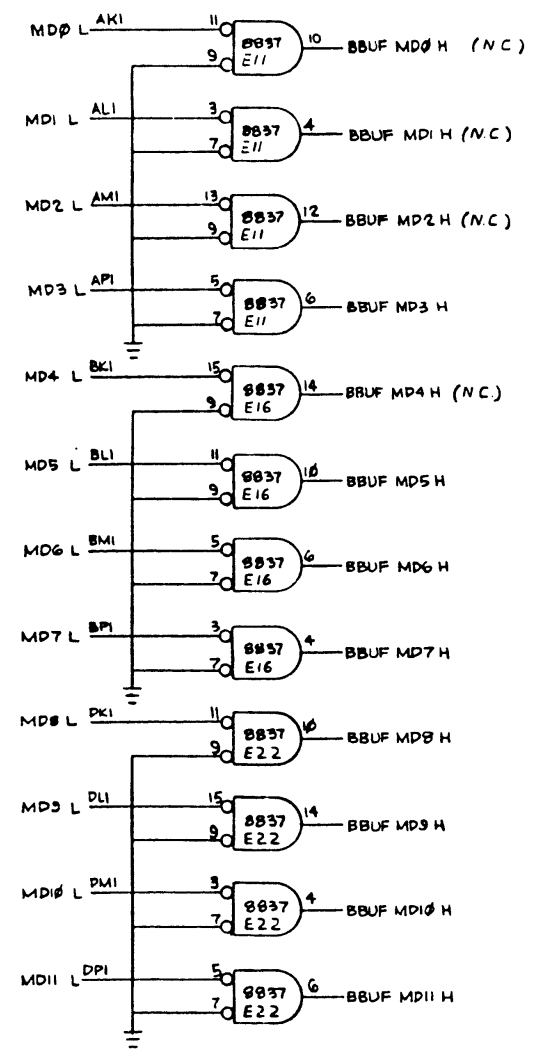


(PROGRAMMERS PANEL MULTIPLEXERS)

REVISIONS		
CHK	CHANGE NO.	REV.

TITLE	OPTION BOARD #1 (KCCND)	SIZE CODE	DCSM8316-0-1	NUMBER		REV.	H
SCALE		SHEET	7 OF 8	DIST.			

THIS DRAWING AND SPECIFICATIONS HEREIN ARE THE PROPERTY OF DIGITAL EQUIPMENT CORPORATION AND SHALL NOT BE REPRODUCED OR COPIED OR USED IN WHOLE OR IN PART AS THE BASIS FOR THE MANUFACTURE OR SALE OF ITEMS WITHOUT WRITTEN PERMISSION. COPYRIGHT © 1974 DIGITAL EQUIPMENT CORPORATION



D
C
B
A

D
C
B
A

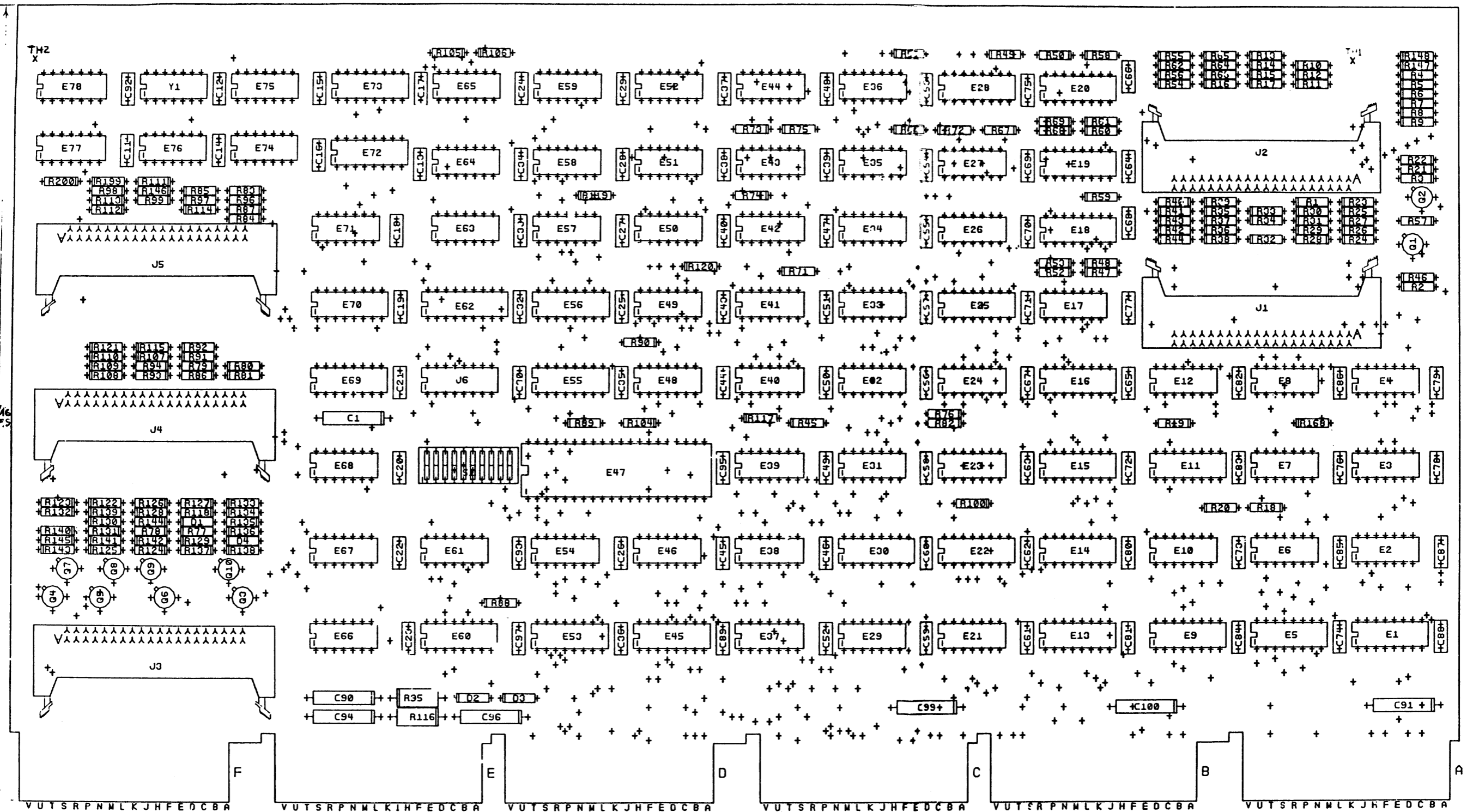
(BUS BUFFERS)

REVISIONS		
CHK	CHANGE NO	REV

TITLE	8/A INTERNAL OPTIONS (BUFF)	SIZE CODE	D CS	NUMBER	M3316-0-i	REV.	H
SCALE	1:1	SHEET	8	OF 8	DIST.		

THIS DRAWING AND SPECIFICATIONS, HEREIN, ARE THE PROPERTY OF DIGITAL EQUIPMENT CORPORATION AND SHALL NOT BE REPRODUCED OR TRANSMITTED IN ANY FORM OR BY ANY MEANS, ELECTRONIC OR MECHANICAL, INCLUDING PHOTOCOPYING, RECORDING, OR BY ANY INFORMATION STORAGE AND RETRIEVAL SYSTEM, WITHOUT THE WRITTEN PERMISSION OF DIGITAL EQUIPMENT CORPORATION. © 1976

COMPONENT SIDE VIEW



NOTES:

CHK	CHANGE NO	REV	DATE	BY

HOLE DATA	
SYMBOL	
FIN HOLE SIZE	
PLATED	
NON PLATED	
QTY.	
○-OFF GRID HLE	
DRILL SIZE	

BOARD FABRICATION INFORMATION	
PANEL SIZE	
PANEL DATA DWG.#	
PANEL MAT'L	
QTY. OF LAYERS	
COPPER THICKNESS	
PTH, X PRINT AND ETCH	
CON. REINSERTED 180 TIMES OR MORE?	
P.C. DESIGN D'TA BASE REV.	

SIGNATURES		DATE
DRN. <i>Vincent...</i>		1-3-76
CHK'D. <i>...</i>		1-5-76
ENG. <i>...</i>		1-2-76
PROJ. ENG. <i>...</i>		1-2-76
PROD. <i>...</i>		
SCALE 2/1		
SHT. 1 OF 3		
NEXT HIGHER ASSY. B-DD-M8316-0		

digital

TITLE
OPTION BOARD 1

SIZE CODE	NUMBER	REV
D UA	M8316-0-0	*

8

7

6

5

4

3

* 0-0-91E8M DUA 2

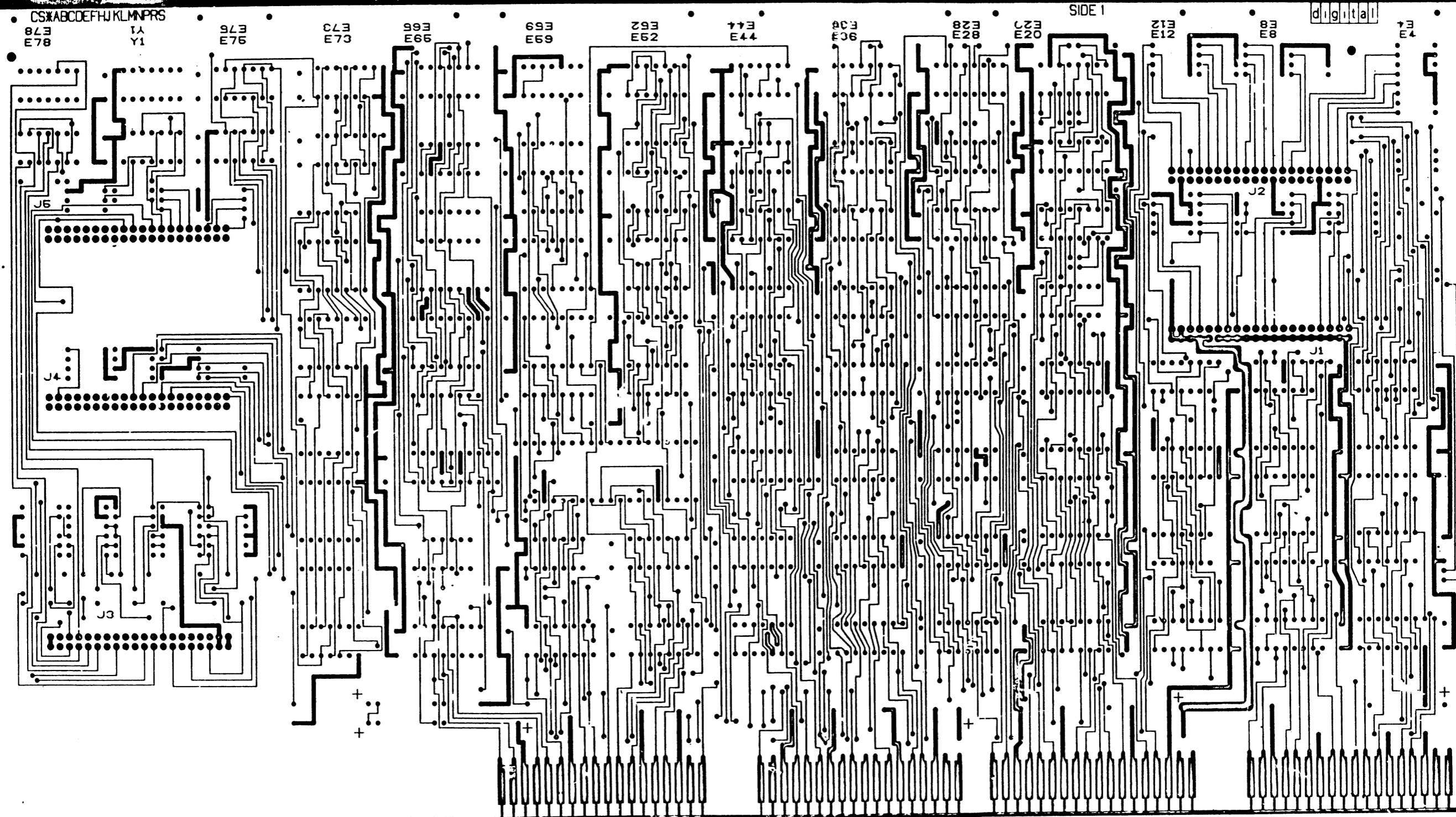
1

THIS DRAWING AND SPECIFICATIONS HEREIN ARE THE PROPERTY OF DIGITAL EQUIPMENT CORPORATION AND SHALL NOT BE REPRODUCED OR COPIED OR USED IN WHOLE OR IN PART AS THE BASIS FOR THE MANUFACTURE OR SALE OF ITEMS WITHOUT WRITTEN PERMISSION. COPY 4-77 © 1976 DIGITAL EQUIPMENT CORPORATION

L1

MS40662 M0316 6010900D P4

D



C

B

A

D

C

B

A

REVISIONS		
CHK	CHANGE NO	REV

TITLE	OPTION BOARD #1	SIZE/CODE	DUA	NUMBER	M8316-0-0	REV	*
SCALE	2/1	SHEET	2 OF 3	DIST			

R 7 6 5 4 3 2 1

DUA M8316-0-0 *

8

7

6

5



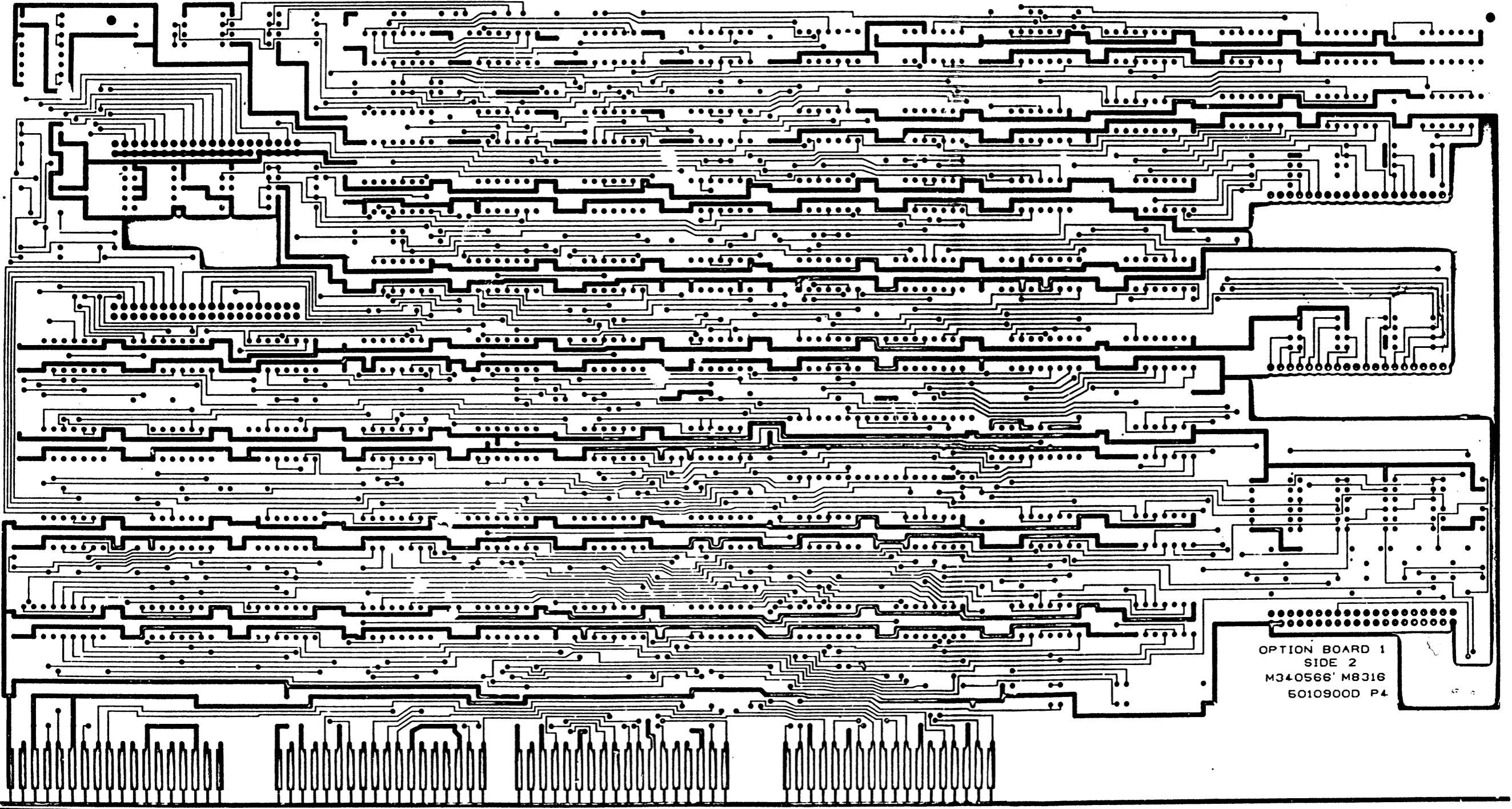
4

3

* 0-0-9138W DUA M8316-0-0 2

1

THIS DRAWING AND SPECIFICATIONS HEREIN ARE THE PROPERTY OF DIGITAL EQUIPMENT CORPORATION AND SHALL NOT BE REPRODUCED OR COPIED OR USED IN WHOLE OR IN PART AS THE BASIS FOR THE MANUFACTURE OR SALE OF ITEMS WITHOUT WRITTEN PERMISSION. COPYRIGHT © 1976 DIGITAL EQUIPMENT CORPORATION



OPTION BOARD 1
SIDE 2
M340566 M8316
5010900D P4

REVISIONS		
CHK	CHANGE NO	REV

TITLE	OPTION BOARD #1	SIZE CODE	D UA	NUMBER	M8316-0-0	REV.	*
SCALE	2/1	SHEET	3 OF 3	DIST			

8

7

6

5

↑

4

3

2

1

D
C
*
DUA M8316-0-0
B
A

DIGITAL EQUIPMENT CORPORATION

PARTS LIST

QUANTITY / VARIATION

NOTES:

MADE BY	BOB KCPENAL	CHECKED	<i>K. Koffman</i>	SECTION	1
DATE	3-31-76	DATE	3-30-76	ISSUED SECTION	
ENG	<i>P. Schmitt</i>	PROD	<i>K. Schmitt</i>		
DATE	7-2-76	DATE	7-2-76		

M8316-0-0																				
-----------	--	--	--	--	--	--	--	--	--	--	--	--	--	--	--	--	--	--	--	--

REF DESIGNATION

ITEM NO.	DRAWING NO.	PART NO.	DESCRIPTION	QTY	1	2	3	4	5	6	7	8	9	10	11	12	13	14	15	16	17	18	19	20	REF DESIGNATION
1	D-MD-5010900-0-0	5010900	ETCHED CIRCUIT BOARD	1																					
2		1001610-01	CAP, .01 UF, 100V, 10%	78																					C11-C30, C32-C40, C43-C88, C93, C95, C97
3		1000023	CAP, 330 PF, 100V, 5%	2																					C89, C92
4		1002431	CAP, 2.2 UF, 35V, 10%	1																					C90
5		1005306	CAP. 6.8 UF, 35V, 10%	8																					C91, C94, C96, C99-C100, C1
6		1109502	DIODE, IN4742	3																					D1-D3
7		1100114	DIODE, D664	1																					D4
8		1211164-06	SWITCH PACK (10 POS DIP)	1																					S1
9		1211813-02	IC SOCKET (16 PIN)	1																					J6
10		1210711-02	HANDLE ASSY	1																					
11		1209941-02	CONNECTOR 40 P. RT. ANG. HD	5																					J1-J5
12		1209941-03	LATCH LEFT 40 P. RT. ANG. HD	5																					
13		1209941-04	LATCH RIGHT 40 P RT. ANG. HD	5																					
14		1300202	RES., 47, 1/4W, 5%	5																					R122-R125, R138
15		1300219	RES., 68, 1/4W, 5%	3																					R129, R133, R137
16		1301424	RES., 680, 1/4W, 5%	13																					R22, R24, R26, R28, R30, R32, R34, R36, R38, R40, R42, R44, R48
17		1300417	RES., 2.2K, 1/4W, 5%	5																					R118, R126, R136, R139, R141
18		130187	RES., 5.6K, 1/4W, 5%	1																					R127
19		1301423	RES., 6.8K, 1/4W, 5%	1																					R131
20		1301522	RES., 27, 1/4W, 5%	4																					R2, R3, R46, R57

ECO. NO.

THIS DRAWING AND SPECIFICATIONS, HEREIN, ARE THE PROPERTY OF DIGITAL EQUIPMENT CORPORATION AND SHALL NOT BE REPRODUCED OR COPIED OR USED IN WHOLE OR IN PART AS THE BASIS FOR THE MANUFACTURE OR SALE OF ITEMS WITHOUT WRITTEN PERMISSION. COPYRIGHT © 1976. DIGITAL EQUIPMENT CORPORATION

TITLE
OPTION BOARD #1

ASSY NO.
D-UA-M8316-0-0

SIZE	CODE	NUMBER	REV.
B	PL	M8316-0-0	*

SHEET 1 OF 4
INSERTION PARTS LIST DATA BASE REV D

DIGITAL EQUIPMENT CORPORATION

PARTS LIST

QUANTITY / VARIATION

NOTES:

MADE BY BOR KOPPENAL	CHECKED	SECTION 1
DATE 3-31-76	DATE	
ENG	PROD	ISSUED SECTION 1
DATE	DATE	

ITEM NO.	DRAWING NO.	PART NO.	DESCRIPTION	M8316-Ø-Ø	REF DESIGNATION
21		1301322	RES., 18Ø, 1/4W, 5%	8	R5, R8, R12, R15, R77, R78, R144, R145
22		1300295	RES., 33Ø, 1/4W, 5%	15	R21, R23, R25, R27, R29, R31, R33, R35, R37, R39, R41, R43, R147 R2ØØ, R72
23		1300309	RES., 39Ø, 1/4W, 5%	4	R4, R9, R11, R16
24		1300316	RES., 47Ø, 1/4W, 5%	2	R6, R64
25		1300365	RES., 1K, 1/4W, 5%	83	R1, R7, R1Ø, R13, R14, R17-R20, R45, R47-R56, R71, R58-R63, R65-R69, R73-R76, R79-R81, R82-R94, R117, R96-R1ØØ, R104-R115, R119-R121, R128, R13Ø, R132, R135, R14Ø, R142, R143, R146, R168, R134
26		1309405	RES., 68, 1/2W, 5%	2	R116, R95
27		1300250	RES., 15Ø, 1/4W, 5%	1	R199
28		1509338	TRANSISTOR, DEC 6531B	5	Q1, Q2, Q6, Q8, Q9
29		1503409-01	TRANSISTOR, DEC 6534B	5	Q3, Q4, Q5, Q7, Q1Ø
30		1811660-02	CRYSTAL OSCILLATOR, 5.Ø688 MHZ	1	Y1
31		1912Ø24	IC., 74LS74	6	E41, E43, E52, E64, E48, E49
32		1912799	IC., 74LSØØ	3	E32, E35, E65
33		1912807	IC., 74LS1Ø	1	E12
34		1912815	IC., 74LS3Ø	1	E17
35		1912801	IC., 74LSØ2	4	E8, E36, E51, E57
36		1909053	IC., 74 2	2	E23, E37
37		1909054	IC., 7493	1	E59
38		1910537	IC., 74S11	1	E7
39		1912803	IC., 74LSØ4	5	E4, E27, E33, E74, E68,

E.C.O. NO.

THIS DRAWING AND SPECIFICATIONS, HEREIN, ARE THE PROPERTY OF DIGITAL EQUIPMENT CORPORATION AND SHALL NOT BE REPRODUCED OR COPIED OR USED IN WHOLE OR IN PART AS THE BASIS FOR THE MANUFACTURE OR SALE OF ITEMS WITHOUT WRITTEN PERMISSION. COPYRIGHT © 1976 DIGITAL EQUIPMENT CORPORATION.	TITLE OPTION BOARD #1	ASSY NO. D-UA-M8316-Ø-Ø	SIZE B	CODE PL	NUMBER M8316-Ø-Ø	REV. *
		SHEET 2 OF 4	INSERTION PARTS LIST DATA BASE REV D			

