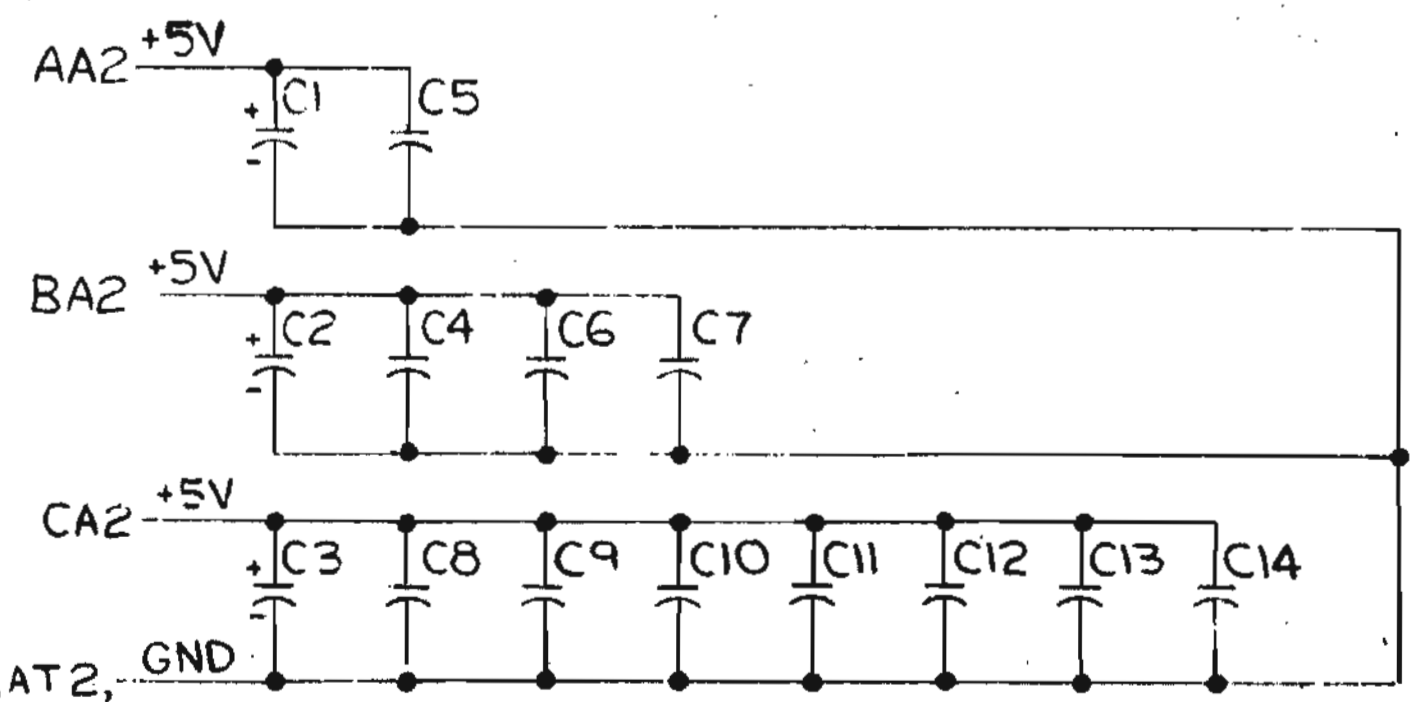
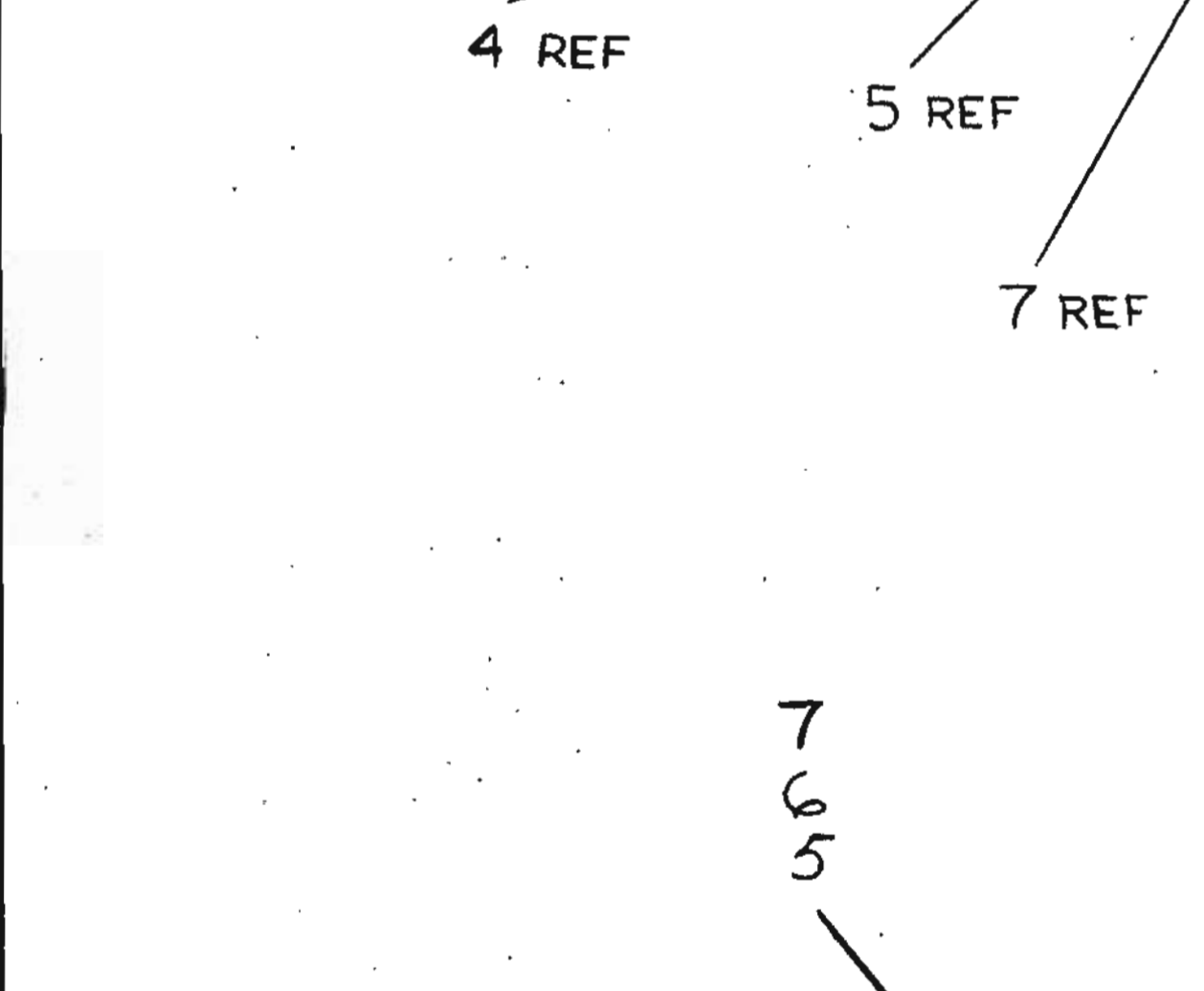
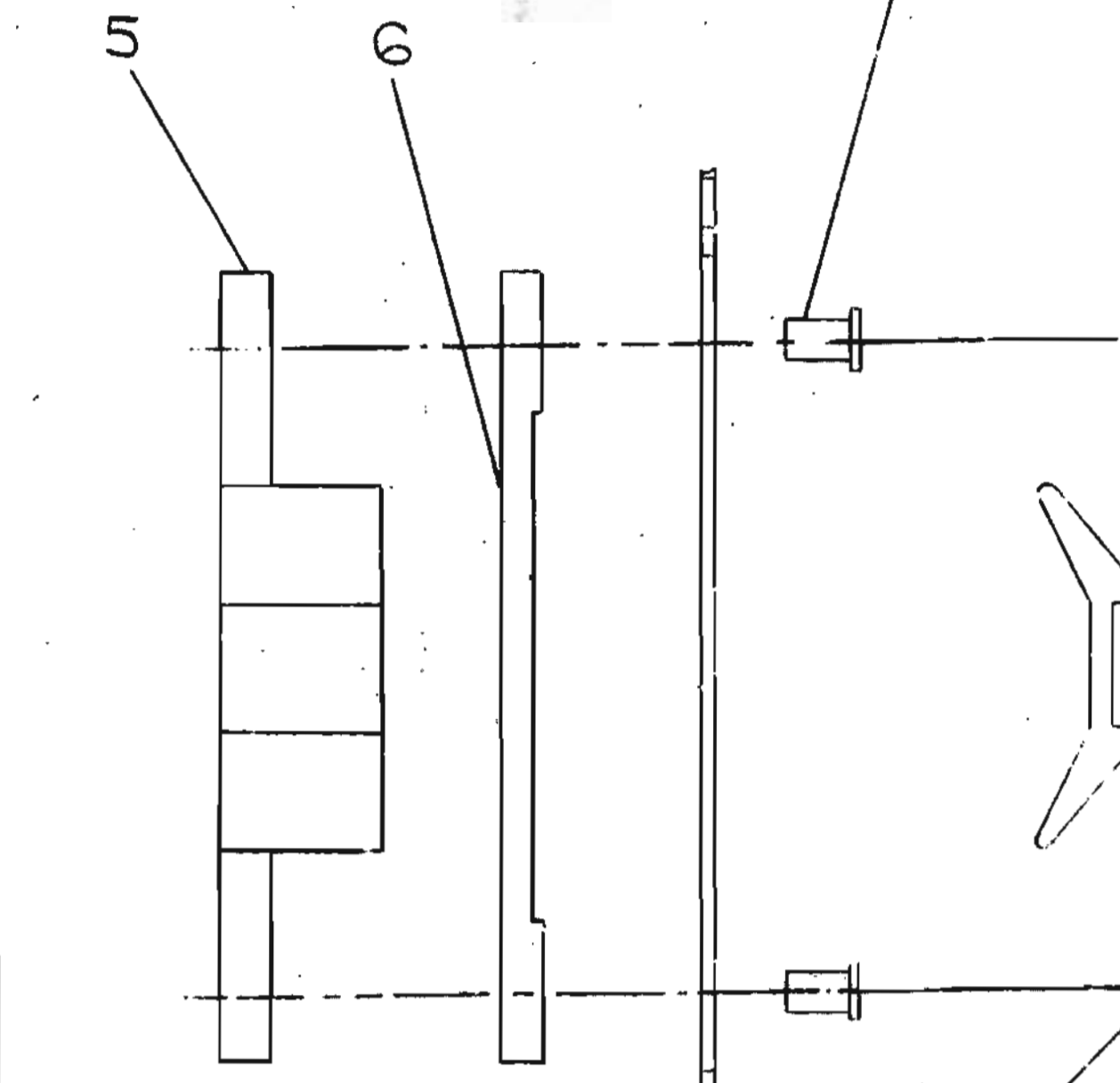
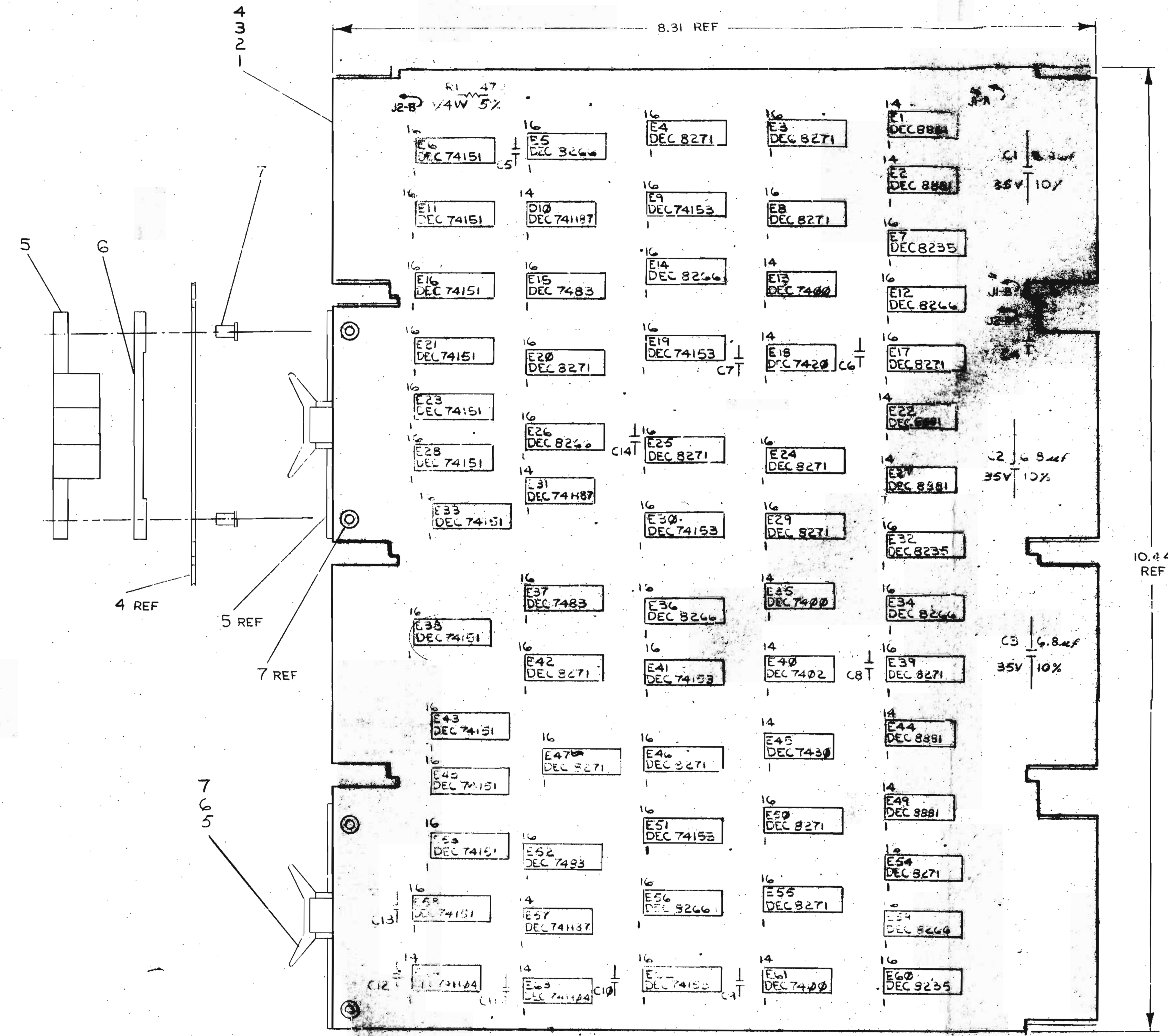


This drawing and specifications, herein, are the property of Digital Equipment Corporation and shall not be reproduced or copied in whole or in part without the written permission of Digital Equipment Corporation.



AC2 AF1, AF2, AN1, AN2, AT1, AT2, GND
 BC1, BC2, BF1, BF2, BN1, BN2, BT1, BT2,
 CC1, CC2, CF1, CF2, CN1, CN2, CT1, CT2,
 DC1, DC2, DF1, DF2, DN1 & DT2

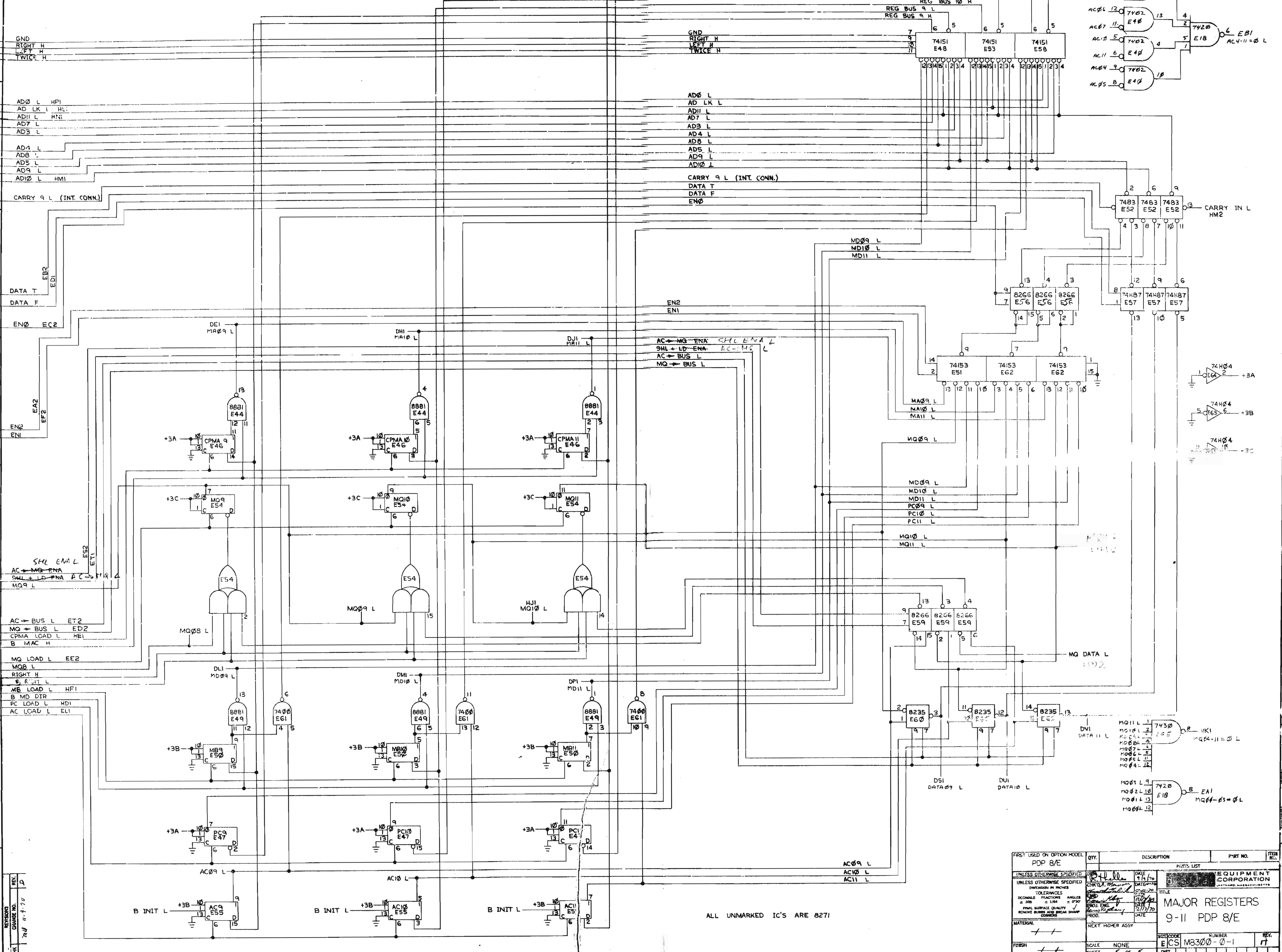
IC TYPE	QTY	AWG	FROM PT	TO PT
DEC 8235	8	16		
DEC 7483	12	5		
DEC 8271	8	16		
DEC 8266	8	16		
DEC 74153	8	16		
DEC 74151	8	16		
IC TYPE	GND	+5V	24	22
			J2-A	J2-B
			J1-A	J1-B

A/R	DESCRIPTION	PART NO.	QTY.
6	E9, E19, E30, E41, E51, E62 I.C. DEC 74153	9107256-00	24
12	E6, E11, E16, E21, E23, E28, E33, E38, E43, E48, E53, E58 I.C. DEC 74151	1909936	22
3	E7, E32, E60 I.C. DEC 8235	1909935	21
8	E5, E12, E14, E26, E34, E36, E56, E59 I.C. DEC 8266	1909934	20
3	E15, E37, E52 I.C. DEC 7483	1909932	19
2	E63, E64 I.C. DEC 7404	1909931	18
3	E10, E31, E57 I.C. DEC 74187	1909927	17
6	E12, E22, E27, E44, E49 I.C. DEC 8881	1909705	16
15	E3, E4, E8, E17, E20, E24, E25, E29, E39, E42, E46, E47, E50, E54, E55 I.C. DEC 8271	1909615	15
1	E40 I.C. DEC 7402	1909604	14
1	E45 I.C. DEC 7430	1909578	13
1	E18 I.C. DEC 7420	1909577	12
3	E13, E35, E61 I.C. DEC 7400	1909575	11
1	R1 RESISTOR 470 1/4W 5%	3000316	10
11	C4 - C14 CAP. 0.1UF 100V 20% DISC	10001610	9
3	C1, C2, C3 CAP. 6.8UF 35V 20% TANT	1000067	8
4	EYELETS GS4-11 STIMPSON	90006750	7
1	SPACER (CABLE CLAMP)	202704	6
1	HANDLE FLIP CHIP-MAG. 11A	90083706	5
1	ETCHED CIRCUIT BOARD	5009250	4
REF	MODULE HISTORY LIST	8MH-M8300-04	3
REF	ASSY/DRILLING HOLE LAYOUT	DAH-M8300-03	2
REF	XY COORDINATE HOLE LOCK	KK8-M8300-01	1

REV	DESCRIPTION	DATE
1	REVISED	11/5/71
2	REVISED	11/5/71
3	REVISED	11/5/71
4	REVISED	11/5/71
5	REVISED	11/5/71

PRINTED CIRCUIT BOARD REVISION
 EQUIPMENT CORPORATION
 MAYNARD, MASSACHUSETTS
 TITLE: MAJOR REGISTERS (KK8/E)
 SEMICONDUCTOR CONVERSION CHART
 SCALE: 2/1
 SHEET: 1 OF 1
 EIA NO.: D-UA-KK8-E-0
 SIZE CODE: EICSI M8300-0-1
 NUMBER: 1
 DIST.

This drawing and user manuals, herein, are the property of Digital Equipment Corporation and shall not be reproduced or used in whole or in part as the basis for the manufacture or sale of items without written permission.



ALL UNMARKED IC'S ARE 8271

REV.	DATE	DESCRIPTION	BY	CHKD.
1	11-9-70			
2				
3				
4				
5				
6				
7				
8				

REV.	DATE	DESCRIPTION	BY	CHKD.
1	11-9-70			
2				
3				
4				
5				
6				
7				
8				

REV.	DATE	DESCRIPTION	BY	CHKD.
1	11-9-70			
2				
3				
4				
5				
6				
7				
8				

REV.	DATE	DESCRIPTION	BY	CHKD.
1	11-9-70			
2				
3				
4				
5				
6				
7				
8				

REV.	DATE	DESCRIPTION	BY	CHKD.
1	11-9-70			
2				
3				
4				
5				
6				
7				
8				

REV.	DATE	DESCRIPTION	BY	CHKD.
1	11-9-70			
2				
3				
4				
5				
6				
7				
8				

REV.	DATE	DESCRIPTION	BY	CHKD.
1	11-9-70			
2				
3				
4				
5				
6				
7				
8				

REV.	DATE	DESCRIPTION	BY	CHKD.
1	11-9-70			
2				
3				
4				
5				
6				
7				
8				

REV.	DATE	DESCRIPTION	BY	CHKD.
1	11-9-70			
2				
3				
4				
5				
6				
7				
8				

REV.	DATE	DESCRIPTION	BY	CHKD.
1	11-9-70			
2				
3				
4				
5				
6				
7				
8				

REV.	DATE	DESCRIPTION	BY	CHKD.
1	11-9-70			
2				
3				
4				
5				
6				
7				
8				

REV.	DATE	DESCRIPTION	BY	CHKD.
1	11-9-70			
2				
3				
4				
5				
6				
7				
8				

REV.	DATE	DESCRIPTION	BY	CHKD.
1	11-9-70			
2				
3				
4				
5				
6				
7				
8				

REV.	DATE	DESCRIPTION	BY	CHKD.
1	11-9-70			
2				
3				
4				
5				
6				
7				
8				

REV.	DATE	DESCRIPTION	BY	CHKD.
1	11-9-70			
2				
3				
4				
5				
6				
7				
8				

REV.	DATE	DESCRIPTION	BY	CHKD.
1	11-9-70			
2				
3				
4				
5				
6				
7				
8				

REV.	DATE	DESCRIPTION	BY	CHKD.
1	11-9-70			
2				
3				
4				
5				
6				
7				
8				

REV.	DATE	DESCRIPTION	BY	CHKD.
1	11-9-70			
2				
3				
4				
5				
6				
7				
8				

REV.	DATE	DESCRIPTION	BY	CHKD.
1	11-9-70			
2				
3				
4				
5				
6				
7				
8				

REV.	DATE	DESCRIPTION	BY	CHKD.
1	11-9-70			
2				
3				
4				
5				
6				
7				
8				

REV.	DATE	DESCRIPTION	BY	CHKD.
1	11-9-70			
2				
3				
4				
5				
6				
7				
8				

REV.	DATE	DESCRIPTION	BY	CHKD.
1	11-9-70			
2				
3				
4				
5				
6				
7				
8				

REV.	DATE	DESCRIPTION	BY	CHKD.
1	11-9-70			
2				
3				
4				
5				
6				
7				
8				

REV.	DATE	DESCRIPTION	BY	CHKD.
1	11-9-70			
2				
3				
4				
5				
6				
7				
8				

REV.	DATE	DESCRIPTION	BY	CHKD.
1	11-9-70			
2				
3				
4				
5				
6				
7				
8				

REV.	DATE	DESCRIPTION	BY	CHKD.
1	11-9-70			
2				
3				
4				
5				
6				
7				
8				

REV.	DATE	DESCRIPTION	BY	CHKD.
1	11-9-70			
2				
3				
4				
5				
6				
7				
8				

REV.	DATE	DESCRIPTION	BY	CHKD.
1	11-9-70			
2				
3				
4				
5				
6				
7				
8				

REV.	DATE	DESCRIPTION	BY	CHKD.
1	11-9-70			
2				
3				
4				
5				
6				
7				
8				

REV.	DATE	DESCRIPTION	BY	CHKD.
1	11-9-70			
2				
3				
4				
5				
6				
7				
8				

REV.	DATE	DESCRIPTION	BY	CHKD.
1	11-9-70			
2				
3				
4				
5				
6				
7				
8				

REV.	DATE	DESCRIPTION	BY	CHKD.
1				